

LULU Tissue holder without cover - Chrome

LULU

83 500 710

- width 140mm
- height 35 mm
- 87mm projection



Chrome

83 500 710-00

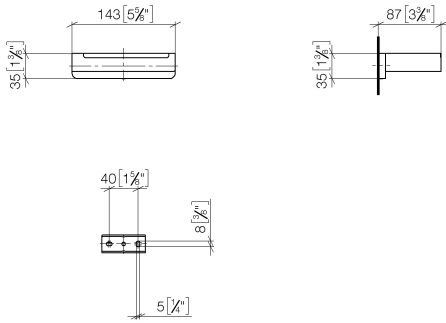


Brushed Platinum

83 500 710-06

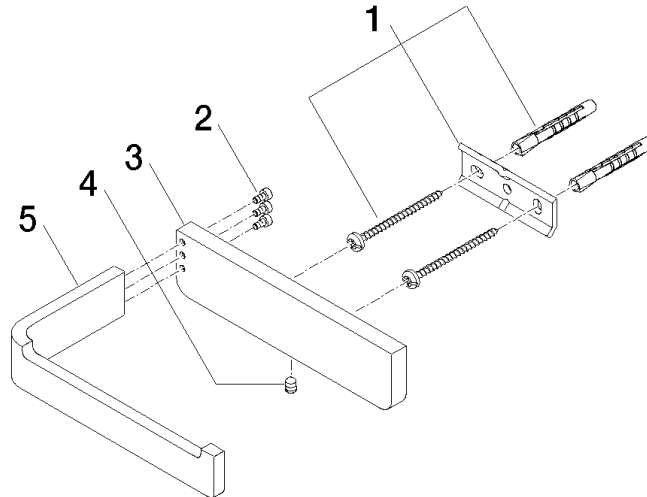
83 500 710

mm [inches]



83 500 710

Parts for other finishes can be found here: Brushed Platinum



### Spare parts list

No.	Item Number	Name	Quantity used	Delivery time
1	05 17 20 718 00 90	fixing set	1	2
2	90 30 30 059 00 90	screw	1	2
3	08 17 71 505-00	holder	1	10
4	90 31 11 112 00 90	pin	1	2
5	08 17 71 555-00	holder	1	10